

## CONDITIONS OF HIRE

All plant is hired under the Construction Plant Hire Association conditions of contract, a copy of which will be supplied on request.

Lightweight Tool Hire reserves the right to amend, alter or increase the charges in the catalogue as well as add to or withdraw any of the equipment described illustrated at their sole discretion and without notice.

• **ALL PRICES SHOWN ARE EXCLUSIVE OF V.A.T.**

**CUSTOMERS TO INSURE FOR FULL REPLACEMENT COST AT MANUFACTURERS CURRENT RETAIL PRICE**

- **A DELIVERY / COLLECTION SERVICE**  
(Please ask for details)
- **A CLEANING CHARGE IS PAYABLE ON HIRED EQUIPMENT IF RETURNED IN A DIRTY CONDITION**
- **DEPOSIT PAYABLE ON ALL EQUIPMENT**
- **ID TO BE SHOWN**

VAT No. 821 7192 40  
Company Reg. No. 04920557

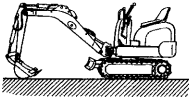
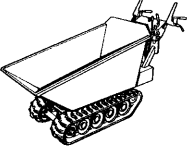


LIGHTWEIGHT TOOL HIRE LTD  
3 Station Road, Yate, BS37 5HT  
**01454 321419**

lightweighttoolhire.co.uk

### OPENING TIMES

Monday - Friday 8.00 am - 5.00 pm  
Saturday 8.00 am - 12.30 pm  
Sunday - closed

SELECTED 4HR RATES AVAILABLE	4 HRS	DAY	2 DAY	EXTRA DAY	5 DAY WEEK	7 DAY WEEK
<b>EXCAVATORS / DUMPERS</b>						
<b>KUBOTA</b> K008-3 Depth Dig 1720mm Min width 700 mm	70	90	-	60	270	330
	BUCKETS 9" TO 30"					
<b>WINGET TRACKED SKIPLoader</b> Width 680mm Capacity 500kg	50	60	-	40	160	190
						

## LIGHTWEIGHT TOOL HIRE LTD

HIRE | SALES | REPAIRS | SPARES

## DIAMOND DISCS

	DAY	EXTRA
<b>4 1/2</b>	<b>8.00</b>	<b>5.00</b>
<b>9</b>	<b>11.00</b>	<b>8.00</b>
<b>12</b>	<b>17.00</b>	<b>9.00</b>
<b>14</b>	<b>19.00</b>	<b>10.00</b>

## DIAMOND CORE DRILLS

	4 HRS	DAY	EXTRA
<b>22MM 38MM</b>	<b>8.00</b>	<b>10.00</b>	<b>6.00</b>
<b>52MM 78MM</b>	<b>10.00</b>	<b>13.00</b>	<b>8.00</b>
<b>107MM 117MM</b>	<b>11.00</b>	<b>15.00</b>	<b>10.00</b>
<b>127MM 142MM 152MM</b>	<b>15.00</b>	<b>18.00</b>	<b>11.00</b>

**01454 321419**

lightweighttoolhire.co.uk

SELECTED 4HR RATES AVAILABLE	4 HRS	DAY	2 DAY	EXTRA DAY	7 DAY WEEK	SELECTED 4HR RATES AVAILABLE	4 HRS	DAY	2 DAY	EXTRA DAY	7 DAY WEEK	SELECTED 4HR RATES AVAILABLE	4 HRS	DAY	2 DAY	EXTRA DAY	7 DAY WEEK	
<b>ACCESS / SUPPORT</b>						<b>BREAKERS/DRILLING/FIXING</b>						<b>MISCELLANEOUS</b>						
Boss Tower 6' x 3' complete with adjustable casters-outriggers-toe boards (approx standing height)						LIGHT SDS HR2811F 240V	19.00	23.00	33.70	7.00	43.00	Petrol Pump 2" (inc hose)	-	29.00	-	10.00	60.00	
6 x 6 x 3 ft	-	36.70	-	12.90	70.00	SDS HM0871C 110V	19.00	23.00	33.70	7.00	43.00	Petrol Pump 1" (inc hose)	-	25.00	-	10.00	50.00	
12 x 6 x 3 ft	-	39.00	-	12.90	78.00	MEDIUM SDS AVT 110V HM1213C	26.00	30.70	39.00	10.00	55.00	Submersible Pump 240V (inc hose) 1 1/4"	-	17.00	-	7.00	31.00	
18 x 6 x 3 ft	-	45.00	-	18.00	88.00	LARGE HM1317C 110V (100p Handle)	31.00	35.70	47.00	10.00	64.00	Submersible Pump 110V (inc hose) 2"	-	25.00	-	10.00	50.00	
24 x 6 x 3 ft	-	50.00	-	18.00	99.00	HM1810 AVT 110v (Tbar)	31.00	35.70	47.00	10.00	64.00	Furniture Trucks	-	12.00	16.00	5.50	23.00	
Steel Trestles 6'	-	-	-	-	4.50	Hydraulic Breaker - 5.5/9 H.P.	35.00	42.00	59.00	17.00	81.00	Rake - Crowbar - Shovels etc	-	5.50	-	1.50	10.00	
Scaffold Boards 10' - 13'	-	-	-	-	4.50	Hammer Drill SDS Fitting 240V	14.50	19.00	-	3.50	21.00	Wallpaper Stripper 240v	-	15.00	19.50	6.70	30.00	
Acrow Props Size 1 (5' 9" - 10')	-	-	-	-	4.50	Hand Held Diamond Core Drill 240V	14.50	19.00	30.50	6.50	41.00							
Strong Boys Supports	-	5.00	-	3.00	10.00	Diamond Core Drills 2" to 6"	-	PRICE ON ASKING										
Utility Steps	-	17.00	22.00	4.00	30.00	Solid Drill 10mm - 50mm	-	5.00	7.50	-	10.00	<b>POWER SUPPLY</b>						
Roof Ladder	-	18.00	24.00	4.00	40.00	Hikoki Nail Gun 1st fix	-	28.00	-	11.00	57.00	Generator 2000 max watts inverter	-	30.00	40.00	10.00	60.00	
T11 Ladder (21ft Max Height)	-	20.00	25.00	4.00	36.00	<b>GARDENING/LANDSCAPING</b>						Generator (site) 2.5KVA petrol	-	25.00	-	8.00	50.00	
T14 Ladder	-	25.00	30.00	10.00	50.00	Rotovator 3 sizes	23.00	28.00	40.00	10.50	58.00	Generator (site) 4.2KVA petrol	-	30.00	40.00	10.00	60.00	
Staging 12/16 ft wide	-	11.00	-	4.00	25.00	Camon Rotovator self propelled	39.00	48.00	66.00	15.00	96.00	Transformer 3.3KVA	5.00	8.70	12.70	3.00	17.00	
SLA10 material lift (SWL 454kg)	-	55.00	75.00	25.00	110.00	Camon Power Harrow	51.00	61.00	90.00	20.00	120.00	Transformer 5KVA	9.00	12.50	16.00	4.50	27.00	
Ladder Stay	-	5.00	-	1.50	12.00	Garden Roller (waterfilled)	-	7.80	10.50	3.00	15.00	Extension Lead 110V/240V	-	4.00	6.70	-	8.70	
<b>CARPET/CLEANING</b>						Mower 18" self propelled	18.00	21.50	24.00	6.00	36.00	<b>PLUMBING</b>						
Dry Vacuum Twin Motor 240V	19.00	26.00	34.00	7.70	55.00	Syth Mower cutting width 30"	-	49.00	67.00	15.00	97.00	Drain Rods (30ft)	-	8.00	10.00	-	14.00	
Carpet Stretcher	-	8.00	11.70	-	14.50	Brush Cutter 2 stroke 24cc	18.00	22.00	28.50	8.00	41.00	Drain Pressure Cleaner 240V 45ft	21.00	27.00	40.00	10.00	58.00	
Electric Pressure Washer 240V (cold)	20.00	25.00	35.00	9.50	60.00	Long Handled Hedge Cutter 0-135° 8ft	30.00	35.70	-	10.70	60.00							
Patio Brush Head Stihl	-	7.00	11.00	-	15.00	Hedge Cutter 2 stroke	-	19.70	-	8.00	38.70	<b>WOODWORK</b>						
Petrol Pressure Washer 240 Bar	-	50.00	70.00	20.00	150.00	Long Handled Pruner Chainsaw 15ft	31.00	37.00	-	10.70	60.00	Fein Multimaster 240V (+ Blades)	-	16.00	25.00	10.00	70.00	
<b>CUTTING/GRINDING</b>						Post Rammer	-	10.70	-	4.00	19.00	Jig Saw 240V	-	12.90	17.70	4.00	25.00	
Angle Grinder 4 1/2" 240V + Disc	-	12.00	16.70	4.00	22.70	Lawn Aerator/Slitter (hand)	-	10.00	-	3.00	19.00	Belt Sander 4" (+ sheets) 240V	-	19.50	26.00	5.00	36.00	
Angle Grinder 9" 240V + Disc	12.00	15.00	20.00	3.90	28.00	Stump Grinder 13HP (wheeled)	59.00	70.00	-	26.00	136.00	Orbital Sander (+ sheets) 240V	-	13.80	18.00	5.00	26.75	
12" Electric Cutter 110V + Disc	18.00	21.00	-	9.70	42.00	Scarifier 19" Petrol inc. box	-	34.70	49.70	14.00	70.00	Compound Mitre Saw 240V	-	24.50	33.00	10.00	43.00	
12" 2 Stroke Cutter + Disc	18.00	21.50	30.00	8.00	45.00	Shuv Holer	-	9.00	12.00	2.00	17.00	Kitchen Worktop Jig up to 1000mm wide	-	21.00	-	7.00	40.00	
14" 2 Stroke Cutter + Disc	21.00	26.50	39.00	10.00	53.00	Auger 1 man petrol (3" - 10")	26.00	30.70	-	12.00	58.00	7" Circular Saw	-	17.00	25.00	-	29.00	
Tile Cutter - Electric 240V	19.00	24.00	35.00	6.50	49.50	Turf Cutter (petrol)	36.00	44.00	64.00	12.70	87.00	Router 1/2" 240V	-	17.70	24.00	6.50	33.70	
Large Hand Tile Cutter	-	15.70	20.50	5.50	30.00	Elief Shedder 2.5" max cut 9HP	-	55.00	-	17.00	96.00	Router Bit (for above) SALE ONLY	-	-	-	-	-	
Slab/Brick Cutter Manual	-	19.00	26.50	6.50	37.00	Timberwolf Chipper 3" max cut 13HP	-	55.00	-	17.00	106.00	"G" Clamps (pair)	-	6.70	-	-	8.70	
<b>COMPACT EQUIPMENT</b>						Chainsaw 16" inc s/kit (2 stoke)	30.00	37.70	-	18.00	78.00	Floor Sander 8" (+ sheets) 240V	28.00	32.00	45.00	8.70	62.00	
Vibrating Plate (small/med/large)	20.00	24.00	32.00	9.50	48.00	Log Splitter 240 Volt	-	37.00	-	17.00	78.00	Edger Sander (+ sheets) 240V	20.00	24.00	35.00	7.70	47.00	
Rubber Mat for "paviours"	8.00	10.50	14.00	6.00	20.00	Leaf Blower 2 stroke	-	16.00	20.00	4.00	32.00	Floor Finishing Sander (+ sheets) 240V	28.00	32.00	45.00	8.00	62.00	
Vibrating Poker 1 1/2" Petrol	22.00	29.00	44.00	8.70	62.00	Stihl Bristle Brush	-	30.00	-	12.00	60.00							
<b>CONCRETE PLANT</b>						Manual Seed Spreader	-	5.00	-	1.50	12.00							
Electric Mixer (4 wks @ £78.00)	-	14.00	20.00	4.00	28.00	<b>HEATING/DRYING</b>												
Petrol Mixer (4 wks @ £85.00)	-	15.00	21.50	4.60	31.00	Red Rad 3KV 240V	-	14.00	20.00	6.00	36.00							
Wheel Barrow	-	5.50	6.50	-	8.70	Dehumidifier	-	40.00	52.00	11.70	85.00							
Tyrolean Gun	-	10.00	15.00	2.00	20.00													

HIRE | SALES | REPAIRS | SPARES

E-MAIL: [YATETOOLHIRE@GMAIL.COM](mailto:YATETOOLHIRE@GMAIL.COM)

**01454 321419**

lightweighttoolhire.co.uk  
**FIND US ON FACEBOOK**